

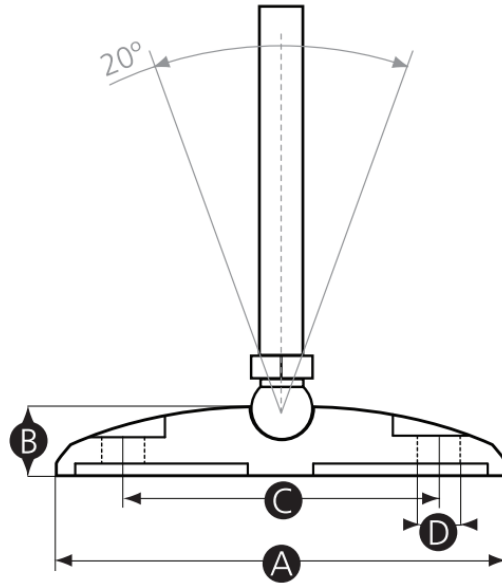
## G03BDLF Bolt-Down Stainless Steel Levelling Glide

### Features

- Glass reinforced nylon base with bolt down holes and zinc plated steel rod
- Suitable for applications where a secure fitting on a flat surface is required
- Many more base and rod size combinations available on request
- Extra grip and anti-vibration available with *G01ASP Rubber Anti Slip Plate* sold separately

### Material

- Base: Stainless steel 303
- Rod: Stainless steel 304



Part No.	A	B	C	D	Thread Size	Thread Length	Max Load
G03BDLF-15689S	60	26	40	9	M12	100	750 kg
G03BDLF-15690Z			40		M12	150	750 kg
G03BDLF-15691V	80		55		M12	150	750 kg
G03BDLF-15692R			55		M16	100	1,400 kg
G03BDLF-15693Y	100	29	74		M16	100	1,400 kg
G03BDLF-15694U			74		M20	150	2,400 kg
G03BDLF-15695Q	120		94		M20	150	2,400 kg
G03BDLF-12696X			94		M24	100	3,500 kg